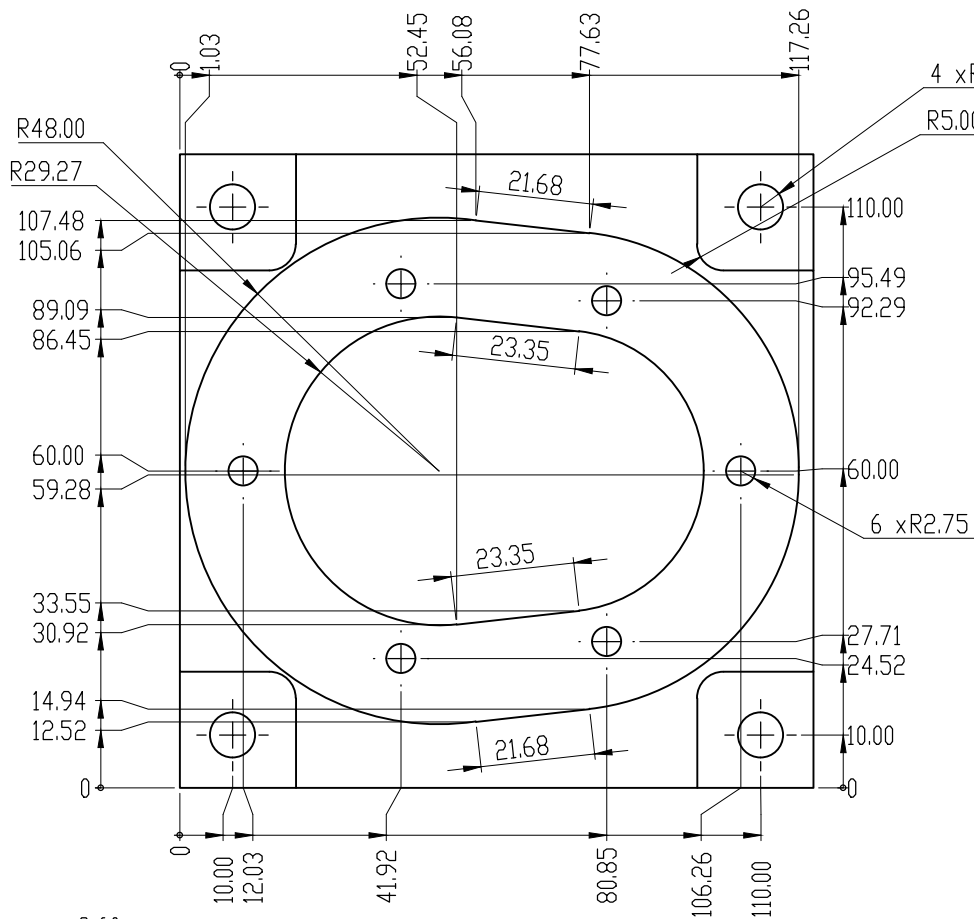


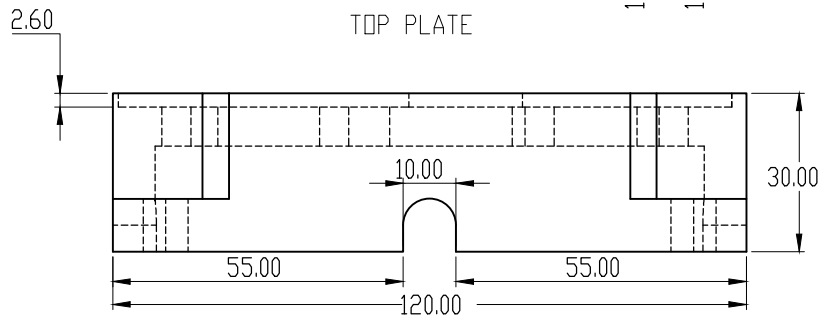
FABRICATION OF COMPONENTS AS PER DWG.

Ref: MDF/ML//24/01/11/01

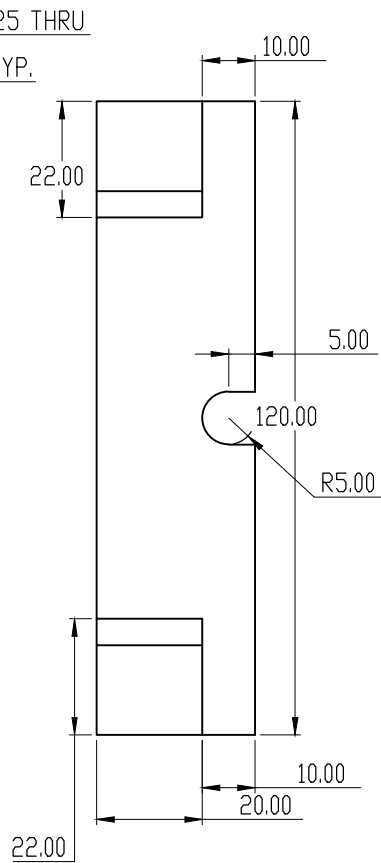
1. THE ORDER SHOULD NOT BE PREFERABLY SPLITTED. THE COMPREHENSIVE QUOTE CONSIDERING AVAILABILITY OF ALL COMPONENTS, FOR AT CSIO WILL BE CONSIDERED.
2. THE REQUIRED QUANTITY IS MENTIONED AND COMPONENTS SHOULD BE SEALED/PACKED AS PER THE ORIGINAL FACTORY PACKING. IF FOUND DAMAGED, WILL BE RETURNED.
3. THE PRICE SHOULD BE INCLUDING EX-CSIO DELIVERY.
4. THE VALID COC SHOULD BE SHARED.
5. PAYMENT AND OTHER THINGS AS PER CSIO NORMS
6. PL MAIL AT harry.garg@csio.res.in, pme@csio.res.in, sunil.kumar@csio.res.in
7. QUOTE TIME 7 DAYS FROM DATE OF TENDER.
8. THE DETAILS OF USER WILL NOT BE SHARED.
9. SUPPLIER/OEM TO SHARE THE DELIVERY TIMELINES AFTER PO AND PAYMENT TERMS. PURCHASE OF COMPONENTS/ PO IS PURELY THE PREROGATIVE OF CSIO
10. PL QUOTE WITH 18% GST AND DELIVERY TIMELINES OF 15 DAYS. SHARE AND ATTACH RELEVANT COMPANY DOCUMENTS.
11. KINDLY FILL ALL THE RELEVANT FIELDS MENTIONED IN THE TENDER AND STRIKEOUT WHICHEVER IS NOT APPLICABLE.



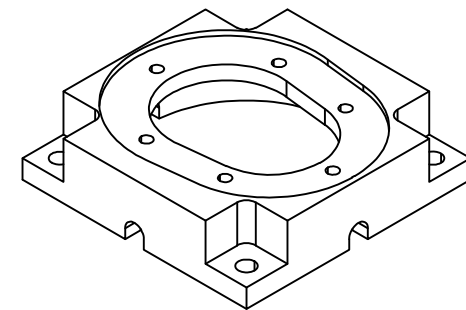
TOP PLATE



FRONT PLATE



SIDE VIEW



ISOMETRIC VIEW

NOTE:
QTY Required - 2 No. per unit.

UNLESS OTHERWISE SPECIFIED: DIMENSIONS ARE IN MILLIMETERS		FINISH:		DEBURR AND BREAK SHARP EDGES		DO NOT SCALE DRAWING		REVISION	
SURFACE FINISH:									
TOLERANCES:									
LINEAR:									
ANGULAR:									
DRAWN	NAME	SIGNATURE	DATE			TITLE:			
CHK'D									
APPV'D									
MFG									
QA						MATERIAL:		DWG NO.	
								FIXTURE SLIDER PLATE A3	
						WEIGHT:		SCALE: 1:2	
								SHEET 1 OF 1	