

# Drogue Probe System for Air to Air Refuelling of LCA

## Introduction

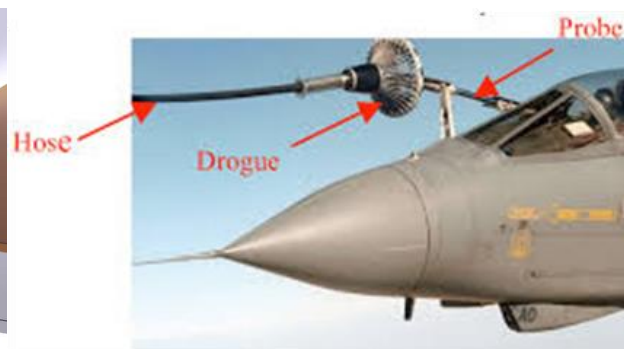
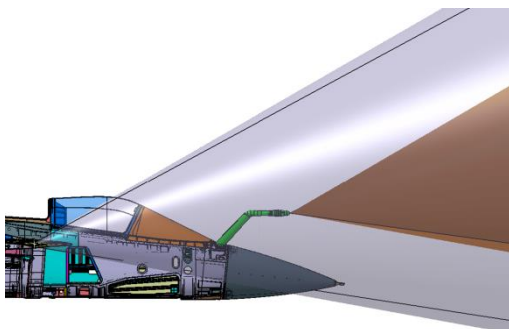
- The drogue probe system is custom designed for LCA for enabling air-to-air refuelling especially for night and low visibility conditions.
- It enables alignment of drogue and the receiver aircraft refuelling probe during mid-air refuelling.

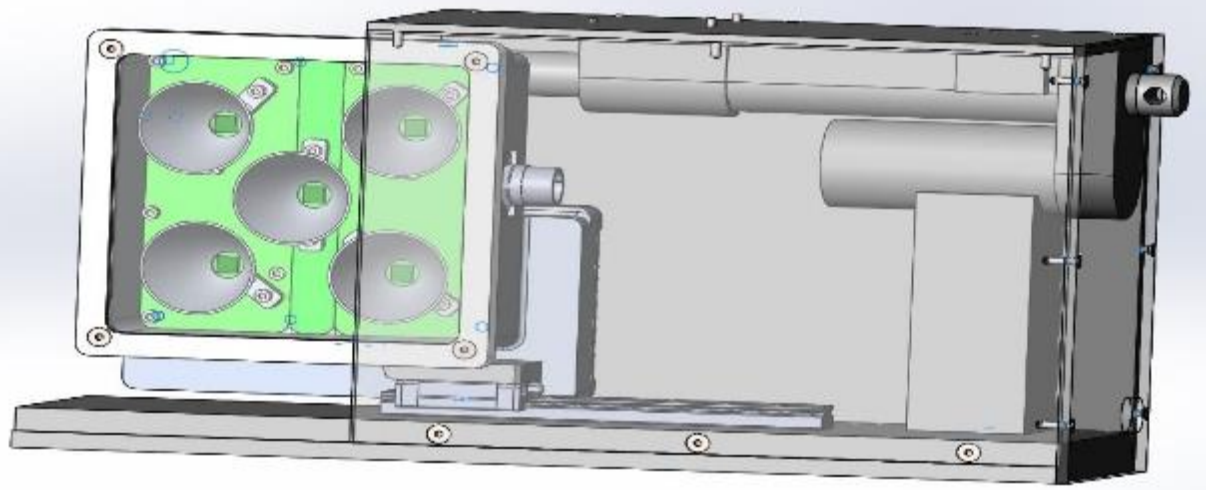
## Features & Specifications

- Available with retraction mechanism.
- Focussed light output of  $> 6$  lux @ 50m in FOV of  $40^\circ \times 30^\circ$ .

## Applications

- It is required for LCA for enabling air-to-air refuelling especially for night and low visibility conditions.
- The system can also be customised for other aircraft variants.





## Status

- Form, fit and functional prototype ready.